

KIRTON PRIMARY SCHOOL

TERM 3 NEWSLETTER 2025



YEAR 1

January 2025

Dear Parents and Carers

Hello and welcome to Spring Term in Year 1 at Kirton Primary School. This term will bring lots of new and exciting challenges to your child's learning experience.

Our Topic

Term 3: Great Inventions

In history this term, we will be stepping back in time and learning all about how the invention of transport helped to shape the world we now live in. We will be researching great inventors, such as; The Wright brothers, The Stephenson family and Richard Trevithick. Whilst we wonder about what it was like to invent an incredible flying machine, we will be building our very own. In Design and Technology, we will be designing and making lunch boxes. In science this term, we will be experimenting with materials and identifying their properties. We will be carefully considering how the material's property determines its suitability for everyday objects. This will help us to select the appropriate materials needed for our lunchboxes.

Maths and English

In mathematics, the children will be learning about: addition and subtraction problems with money, 3D shapes, counting in 2s, 5s and 10s, grouping, sharing, measurements and number bonds to 10. The children will be encouraged to apply their skills to word problems relating to money and measure.

In order to support your child, you could practise number bonds to 10 using the attached number bonds to 10 game. Alongside this, reciting number facts for the 2x, 10x and 5x tables in various orders will support the development of instant recall. This will also help them to complete this a section of their Passport of Achievement record. You can also explore 3-D shapes by completing the attached 3D nets.

It would really support your child if they were confident with their times tables. This would help them in all areas of maths. This term your child needs to become confident in recalling multiplication facts for the 2s, 10s and 5 times tables. Online interactive games such as 'Hit The Button' can be a fun way for children to practise their instant recall. You can find it here: <https://www.topmarks.co.uk/maths-games/hit-the-button>

In English, we will be learning about character descriptions, information texts, recipes, poems, setting descriptions and fairy tale narratives.

In order to support your child, you could write a setting description of a special place using adjectives. Perhaps your child would enjoy creating a fact file about their favourite mode of transport or inventor, such as Henry Ford or Karl Benz.

The spellings your child will be learning this term can be accessed through our school website. It would be really useful if you could help your child to learn these spellings.

Reading

Please encourage your child to read at home every day and ask them questions about what they are reading at every opportunity.

We aim to change books as often as possible and we will check your child's reading records regularly, so please ensure reading books and records are in school daily. Please ensure you are using these to log your child's reading. Once your child has read their books once, to improve fluency, we encourage children to re-read the same text again. The first time they read their book, they will be using their skill of decoding to blend sounds to read the words. Reading it a second time, will give children the opportunity to demonstrate a more fluent pace, whilst also encouraging their understanding and promoting confidence in their reading.

KIRTON PRIMARY SCHOOL

TERM 3 NEWSLETTER 2025



YEAR 1

Your child may bring a water bottle to school. Please ensure the bottle is clearly named and only contains water.

PE

Year 1 classes have PE on a Tuesday and a Friday (Wrens and Robins) or a Tuesday and a Thursday (Sparrows.) Please ensure that your child has the appropriate PE kit. For outdoor games, the children need plain black/navy tracksuit bottoms, a plain white t-shirt, a plain sweatshirt and trainers. For indoor PE, the children need plain black/navy shorts and a plain white t-shirt. Every item needs to be clearly labelled and in a bag that will remain in school every day. Kits will be taken home to be washed at the end of each term. No items should be taken home during the term.

Junk Modelling

This term in Design and Technology we will be using junk modelling to create the perfect lunchbox. It would be greatly appreciated if you could bring into school any junk modelling materials. These could be different sized boxes, safe plastic containers, yoghurt pots etc. We kindly ask that all materials are safe and clean. Please avoid sharp items, tins and anything glass. Thank you for your continued support.

Important Dates

06.01.25 – First day of term 3
11.02.25 – Parents' Evening face-to-face
12.02.25 – Parents' Evening via telephone
14.02.25 – Last day of term 3
24.02.25 – First day of term 4

Yours sincerely

Miss Wells Mrs Lewis Mrs Ilsley Mrs Brine

Year 1 Class Teachers

Station Road, Kirton, Boston, Lincolnshire PE20 1HY

Tel: 01205 722236

Email: enquiries@kirton-boston.lincs.sch.uk

KIRTON PRIMARY SCHOOL

TERM 3 NEWSLETTER 2025



YEAR 1

HOW YOU CAN SUPPORT YOUR CHILD'S LEARNING THIS TERM:

Key things parents can do to support their child this term related to things they will be learning about:

- Useful websites: BBC Recipes, TopMarks Mental Maths and Phonics Play.
- Things to make:
 - 3D shapes: Cut out the nets and fold along the lines. Stick the flaps together to make your very own 3D shape.
 - Use the fact file template to write down some information about a famous inventor. You could use a book or the internet to help you.
 - Play the number bonds to 10 game.



Station Road, Kirton, Boston, Lincolnshire PE20 1HY

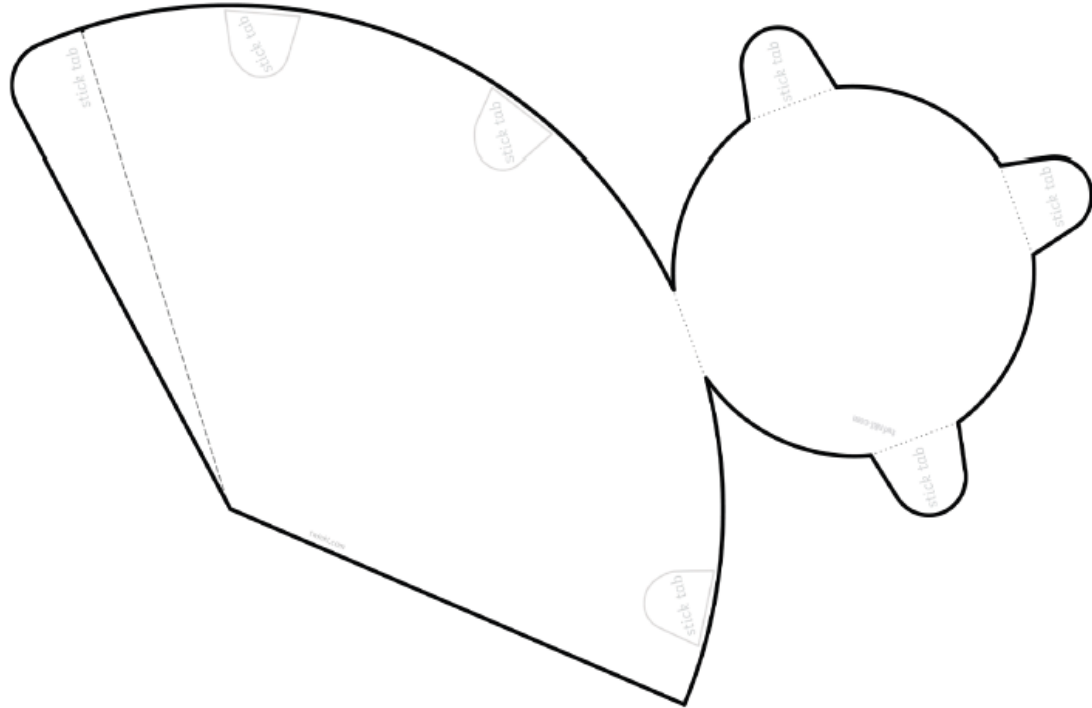
Tel: 01205 722236

Email: enquiries@kirton-boston.lincs.sch.uk

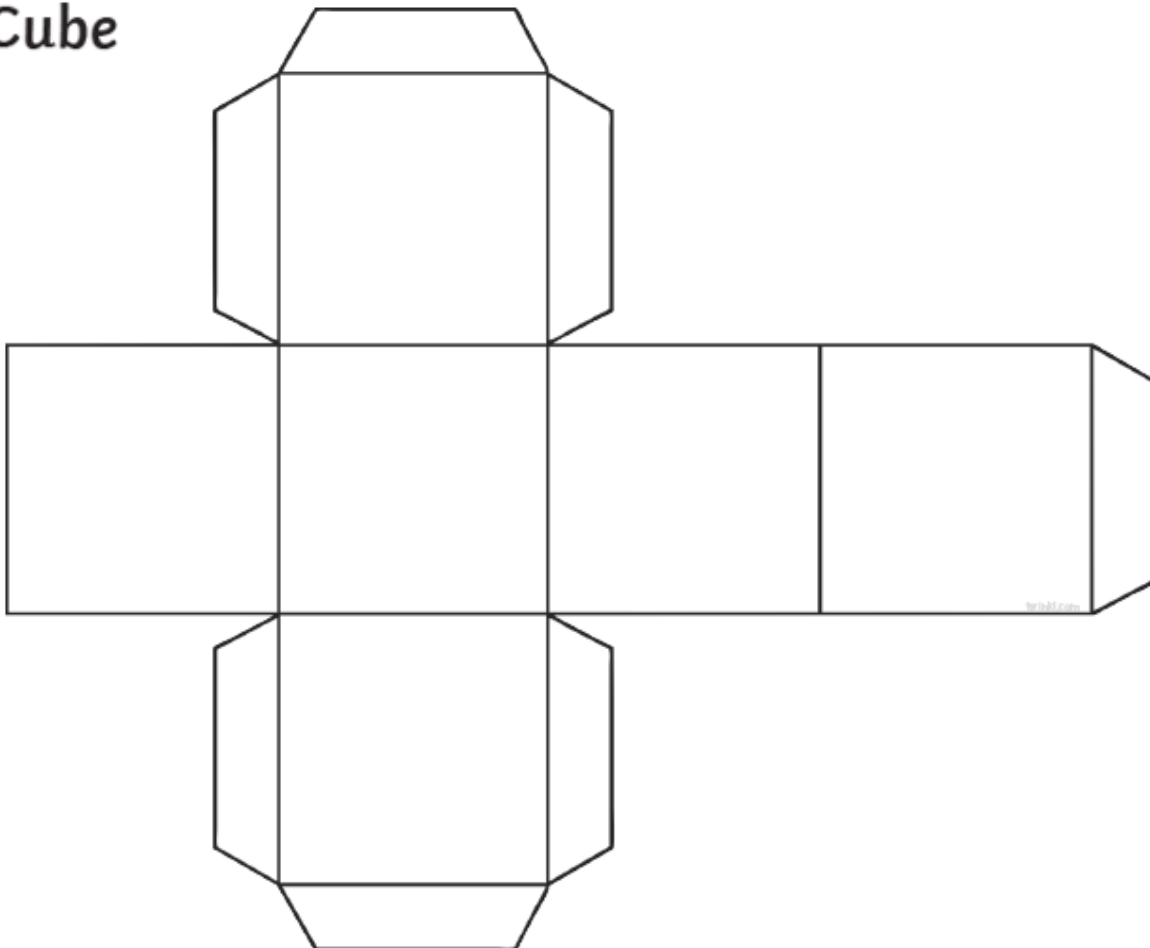


YEAR 1

Cone



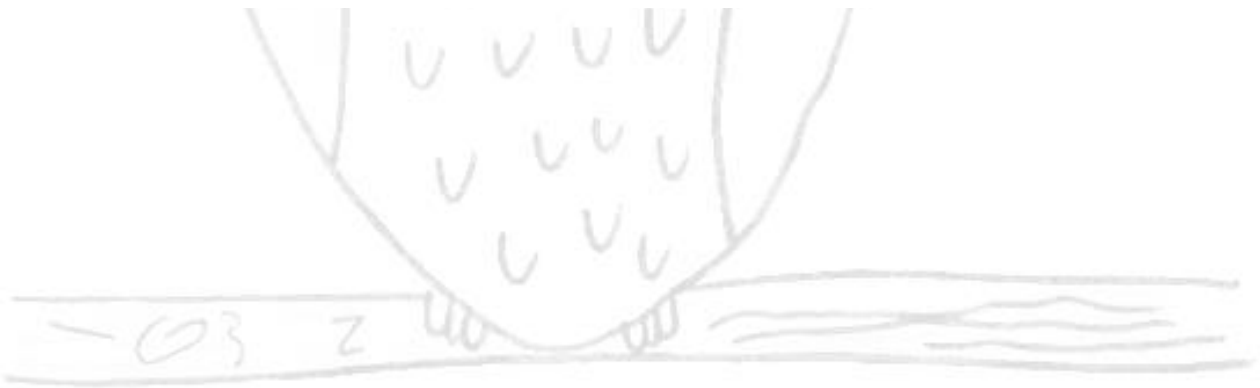
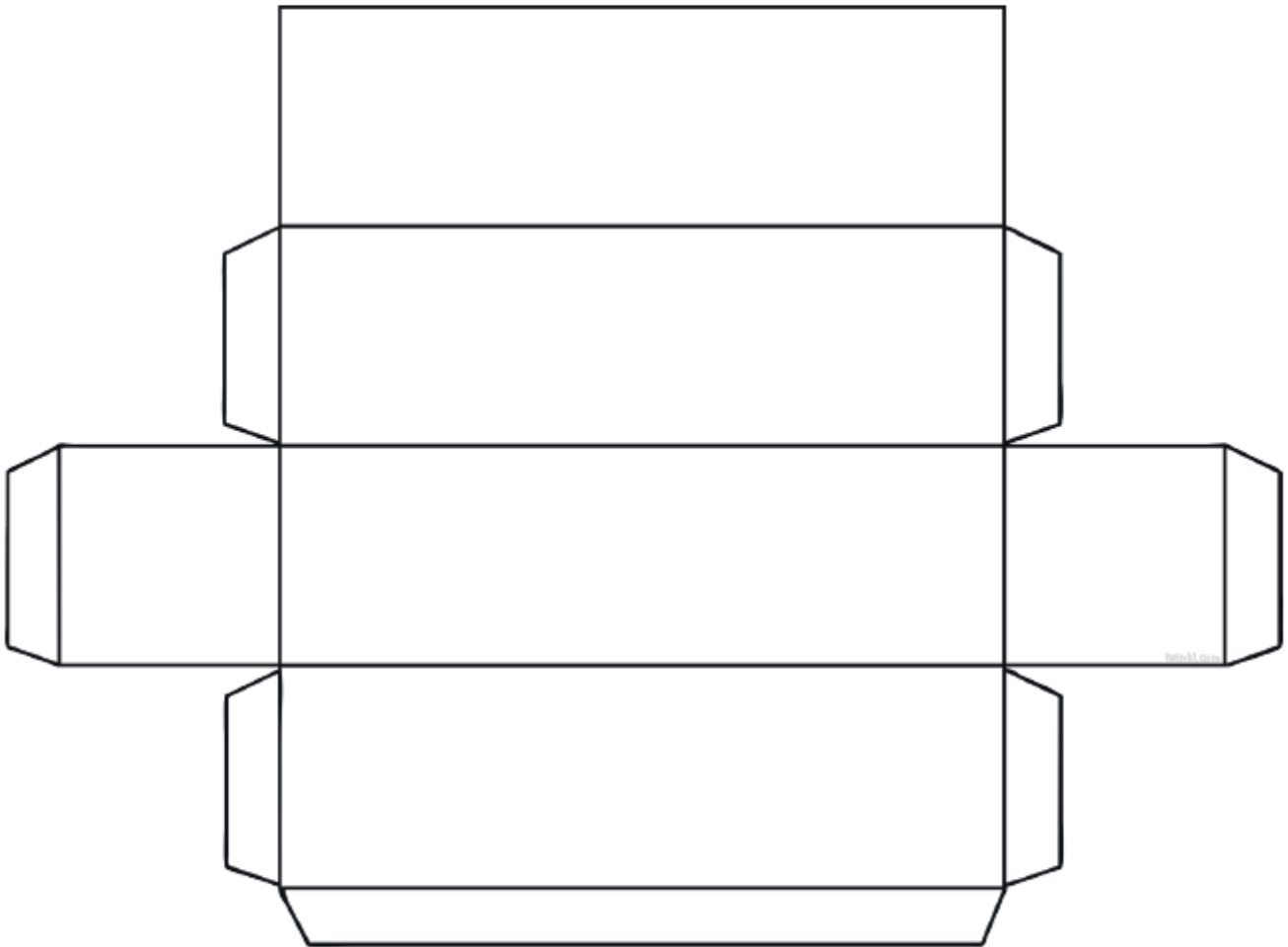
Cube





YEAR 1

Rectangular Prism



KIRTON PRIMARY SCHOOL

TERM 3 NEWSLETTER 2025



YEAR 1

Number bonds game

Number Bonds to 10

Roll the dice and answer the addition question. Get it wrong and you miss a turn! Land on a star and you get another go!

Who will be the first to the finish line?

Good luck!

